



PRIME[®]

DENTAL PRODUCTS PVT LTD

Established in 1987

Manufacturer & Importer of Dental Materials & Equipment

Dental Chair Units 2026

Specialised in
**New Clinic Setup
&
Upgradation**

Support from our team
before & after chair setup



For Inquiries

+91 91759 38290



For After Sale Services

+91 96375 22290



Prime-Dental.in



primeequipment

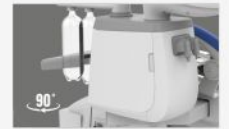
@prime-dental.in



Scan to Order



Detachable Glass Spittoon



Movable Side Unit



Assistant's side controls



Features

*The chair image is illustrative; actual items included will be as per your quotation.

- Programmable Dental Chair Unit with 2 Customised Programs, Last position/Gargle & Zero are Fixed Programs,
- Timer customizable for Cup Filler (Warm Water option) and Bowl Rinse
- 7" LED X-Ray film viewer ● Pressure gauge
- High-speed airtor connections x 2, three-way syringe x 1
- **In-Built Woodpecker LED Scaler With 5 tips**
- Touch Panel ● Pneumatic lock for control box arm
- Movable arm rest for easy entry / exit for patients
- LED Reflection type Dental Light with sensor (Luminance up to 30,000 Lux at Standard Mode) (Luminance up to 20,000 Lux at Yellow Mode)
- Multi functional foot control
- Detachable frosted Glass Spittoon with 180 deg swivel
- Master Switch for Power / Water & Air On / Off
- Emergency Stop Switch
- **Assistant's side controls:**
Chair movement control, Light On / Off, Cup Filler, Bowl Rinse, Last position/Gargle, Zero, M1, M2, Three-way syringe x 1, HVE x 1, Saliva ejector x 1, Instrument tray
- **In-Built Woodpecker LED Light Cure Unit**
- Compact side unit with 90 deg swivel
- Distilled water bottle x 1 (Also for tap water), Disinfection bottle x 1

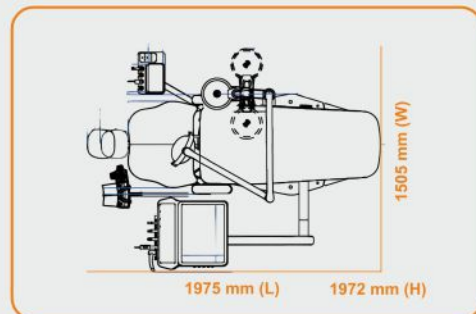
Optional

- In-Built Micro Motor Kit With Engine

Touch Panel

Doctor's Stool

- **Relax Position**
Adjustable Backrest Height & Recline
- **Consulting Position**
For comfortable posture
- **Operational Position**
Adjust the backrest and the seat-rest at incline angle



PVC - 1



PVC - 2



PVC - 3



PVC - 4



PVC - 7



PVC - 12



Detachable Ceramic Spittoon



Movable Side Unit



Assistant's side controls

Features

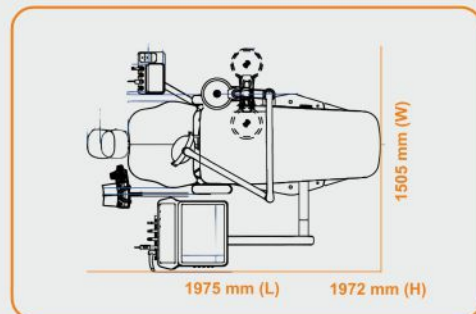
*The chair image is illustrative; actual items included will be as per your quotation.

- Programmable Dental Chair Unit with 9 Customised Programs (3 Users x 3 Programs), Fixed Programs: Last position/Gargle, Zero, Spittoon Clean & Trendelenburg Position (Shock Position)
- Timer customizable for Cup Filler (Warm Water option) and Bowl Rinse
- 7" LED X-Ray film viewer ● **Digital Pressure gauge**
- High-speed airtor connections x 3, Three-way syringe x 1
- **In-Built Woodpecker LED Scaler With 5 tips**
- LCD Display Touch Screen ● Touch lock for control box arm
- Movable arm rest for easy entry / exit for patients
- LED Reflection type Dental Light with sensor (Luminance up to 30,000 Lux at Standard Mode) (Luminance up to 20,000 Lux at Yellow Mode)
- Multi functional foot control
- Detachable Ceramic Spittoon with 180 deg swivel
- Master Switch for Power / Water & Air On / Off
- Emergency Stop Switch
- **Assistant's side controls:**
Chair movement control, Light On / Off, Cup Filler, Bowl Rinse, Last position/Gargle, Zero, M1, M2, Three-way syringe x 1, HVE x 1, Saliva ejector x 1, Instrument tray
- **In-Built Woodpecker LED Light Cure Unit**
- Compact side unit with 90 deg swivel
- Distilled water bottle x 1 (Also for tap water), Disinfection bottle x 1

LCD Display Touch Screen

Doctor's Stool

- **Relax Position**
Adjustable Backrest Height & Recline
- **Consulting Position**
For comfortable posture
- **Operational Position**
Adjust the backrest and the seat-rest at incline angle



PVC - 1



PVC - 2



PVC - 3



PVC - 4



PVC - 7



PVC - 12

Optional

- In-Built Micro Motor Kit With Engine





Features

*The chair image is illustrative; actual items included will be as per your quotation.

- Programmable Dental Chair Unit with 3 Variable Programs, 3 Fixed Programs - Z (Zero); G (Gargle); E (ER Working Position)
- LED X-Ray viewer, Pressure gauge
- 2 High-speed Airtor connections & 2 Three-way syringe
- **In-built E-Type Micro Motor Kit with Engine**
- **In-built LED Scaler with 5 Tips**
- Pneumatic lock for control box arm
- Large instrument base on control box
- LED (6 LED) Light multi-intensity with sensor
- 2 Arm rest
- Joystick foot control on the base of the unit
- Master foot control with S (Spittoon)/T (Tumbler) switch
- Glass spittoon with definable timer control water filling system
- Assistant's side control 3-way syringe; Low & High venture suction
- Broad base for better stability
- Doctor's stool
- Emergency Stop switch on control box
- Cup mounted on control box to collect the waste during treatment

